



Installation Instructions

AIR DRYER SILENCER KITS

Air Dryer Silencer Kit Contents		
Item No.	Description	Qty.
1	Gasket	1
2	Exhaust Cover (AD-IP® & AD-IS®)	1
3	Exhaust Cover (AD-9®)	1
4	Adapter	1
5	Silencer	1
6	Gasket	1
7	Screws	4

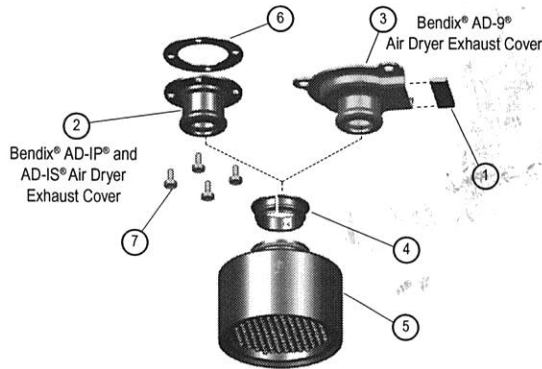


Figure 1 Silencer Kit Contents

GENERAL SAFETY GUIDELINES

WARNING!

PLEASE READ AND FOLLOW THESE INSTRUCTIONS TO AVOID PERSONAL INJURY OR DEATH:

When working on or around a vehicle, the following general precautions should be observed **at all times**.

1. Park the vehicle on a level surface, apply the parking brakes, and always block the wheels. Always wear safety glasses.
2. Stop the engine and remove ignition key when working under or around the vehicle. When working in the engine compartment, the engine should be shut off and the ignition key should be removed. Where circumstances require that the engine be in operation, **EXTREME CAUTION** should be used to prevent personal injury resulting from contact with moving, rotating, leaking, heated or electrically charged components.
3. Do not attempt to install, remove, disassemble or assemble a component until you have read and thoroughly understand the recommended procedures. Use only the proper tools and observe all precautions pertaining to use of those tools.
4. If the work is being performed on the vehicle's air brake system, or any auxiliary pressurized air systems, make certain to drain the air pressure from all reservoirs before beginning **ANY** work on the vehicle. If the vehicle is equipped

5. with a Bendix® AD-IS® air dryer system or a dryer reservoir module, be sure to drain the purge reservoir.
5. Following the vehicle manufacturer's recommended procedures, deactivate the electrical system in a manner that safely removes all electrical power from the vehicle.
6. Never exceed manufacturer's recommended pressures.
7. Never connect or disconnect a hose or line containing pressure; it may whip. Never remove a component or plug unless you are certain all system pressure has been depleted.
8. Use only genuine Bendix® brand replacement parts, components and kits. Replacement hardware, tubing, hose, fittings, etc. must be of equivalent size, type and strength as original equipment and be designed specifically for such applications and systems.
9. Components with stripped threads or damaged parts should be replaced rather than repaired. Do not attempt repairs requiring machining or welding unless specifically stated and approved by the vehicle and component manufacturer.
10. Prior to returning the vehicle to service, make certain all components and systems are restored to their proper operating condition.
11. For vehicles with Automatic Traction Control (ATC), the ATC function must be disabled (ATC indicator lamp should be ON) prior to performing any vehicle maintenance where one or more wheels on a drive axle are lifted off the ground and moving.

This kit is intended for use when installing a silencer at the purge valve of a Bendix® AD-9®, AD-IP®, AD-IS® or AD-SP® air dryer.

VEHICLE PREPARATION

1. Park the vehicle on a level surface and prevent movement by means other than the brakes.
2. Drain all reservoirs to 0 psi (0 kPa).
3. Clean the exterior of the air dryer.

DISASSEMBLY

General

For air dryers (without the required exhaust cover installed) carefully remove the screws and washers (if included) that secure the purge valve. Discard the washers and retain the screws for installation. Note: Other styles do not require any disassembly.

ASSEMBLY

Select the exhaust cover (2 or 3) and gasket (1 or 6) matching the particular air dryer application. Discard the second cover supplied with kit. When installing the exhaust cover a gasket is required. For Bendix® AD-SP® air dryers, go to the "SILENCER INSTALLATION" section.

BENDIX® AD-9® AIR DRYER EXHAUST COVER

1. The gasket (1), for exhaust cover (3), has a self adhesive backing on one side. Peel off the protective paper and carefully attach the gasket in the channel of the exhaust cover as shown.
2. Using the screws removed during disassembly attach the exhaust cover (3) to the air dryer. Torque to 80–125 in-lbs.

BENDIX® AD-IP® & AD-IS® AIR DRYER EXHAUST COVER

1. Install gasket (6) and exhaust cover (2) to the purge valve of the air dryer using the four screws (7) included in this kit. Torque to 15–25 in-lbs.

SILENCER INSTALLATION

1. Slip the adapter (4) over the end of the exhaust cover as shown (with the outer shoulder—largest diameter—closest to the air dryer body). Note: Do not pre-install the adapter into the silencer.
2. Install the silencer (5) by carefully aligning it with the exhaust cover and adapter (4), and firmly push it into its locked position.

OPERATIONAL TEST

Before returning the vehicle to service, bring the air brake system up to full operating pressure. Check that there is a full, unobstructed discharge of air when the air dryer purges. Be sure that hands—or any body parts—are not near the silencer during this test. **Warning:** If not installed properly, the silencer could blow off of the air dryer when the purge valve initially opens.

Log-on and Learn from the Best

On-line training that's available when you are—24/7/365.
Visit www.brake-school.com.