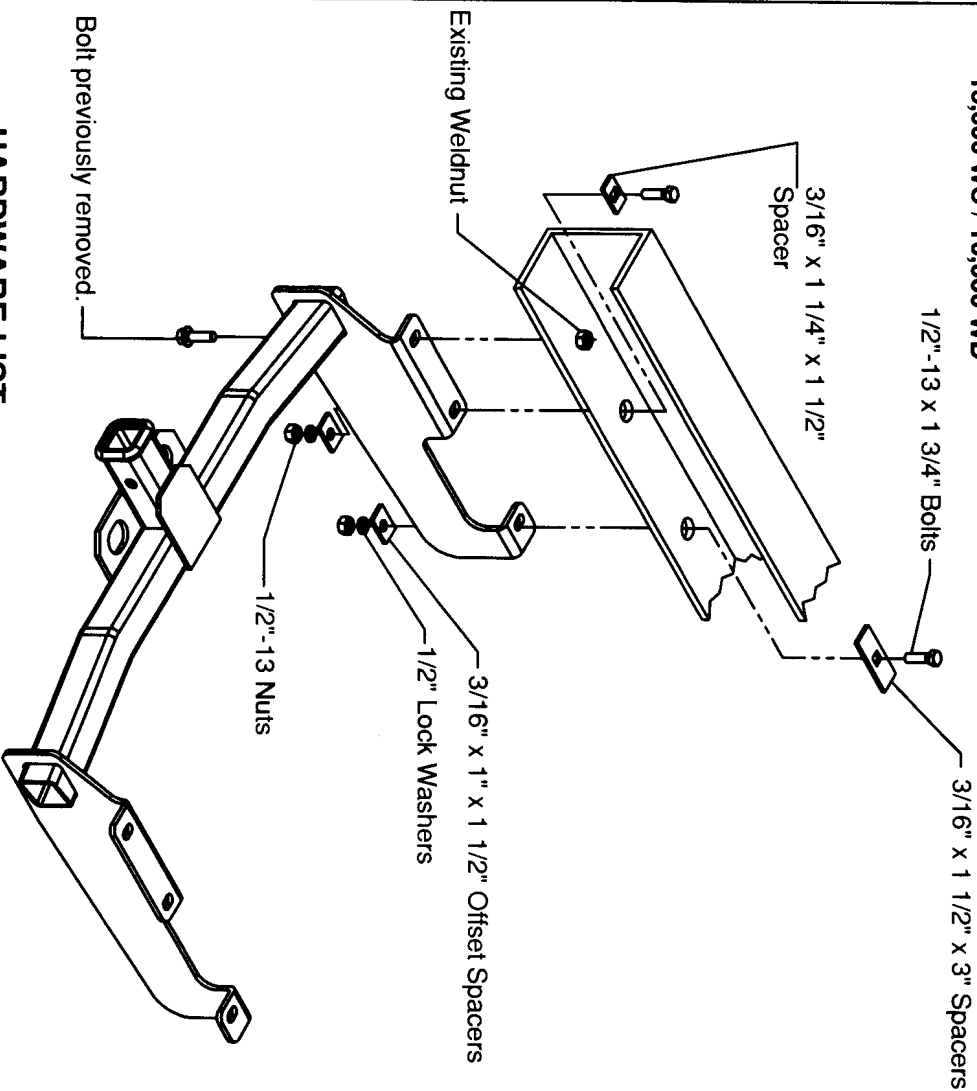


# 25189

15,000 WC / 16,000 WD

\*FOR TECHNICAL SERVICE CALL 1-800-336-4271 EXTENSION 102



## INSTALLATION INSTRUCTIONS:

1. Remove spare tire for ease of installation.
2. Remove bumper bracket bolts from both sides of vehicle (one each side). Place hitch into position by lining up rearmost holes in hitch with holes where bolts were just removed and reinstall bolts.
3. Place 1/2"-13 x 1 3/4" bolt along with 3/16" x 1 1/2" x 3" spacer in frame channel in forward most holes (one each side). Fasten using 3/16" x 1" x 1 1/2" offset spacers, lock washers, and nuts.
4. Place 1/2"-13 x 1 3/4" bolt along with 3/16" x 1 1/4" x 1 1/2" spacer in middle holes (one each side) and fasten using 3/16" x 1" x 1 1/2" offset spacers, lock washers and nuts.
5. Reinstall spare tire and torque all 1/2-13 bolts to 75 ft/lbs.
6. Torque all 14mm bolts to 135ft. lbs.

## FIT LIST:

2001-CURRENT  
Chevy/GMC HD Long Bed Pickups

## HARDWARE LIST:

- 4 - 1/2"-13 x 1 3/4" Bolts
- 4 - 1/2" Lock Washers
- 4 - 1/2"-13 Nuts
- 2 - 3/16" x 1 1/4" x 1 1/2" Spacers
- 2 - 3/16" x 1 1/2" x 3" Spacers
- 4 - 3/16" x 1" x 1 1/2" Offset Spacers

**\*\*WARNING: ALTHOUGH THIS HITCH IS DESIGNED TO SAFELY CARRY THE LOADS SPECIFIED, UNDER NO CIRCUMSTANCES DO WE RECOMMEND EXCEEDING THE TOWING VEHICLE MANUFACTURER'S RECOMMENDED TOWING CAPABILITIES. ALWAYS USE SAFETY CHAINS AND TRAVEL AT A SAFE SPEED.**