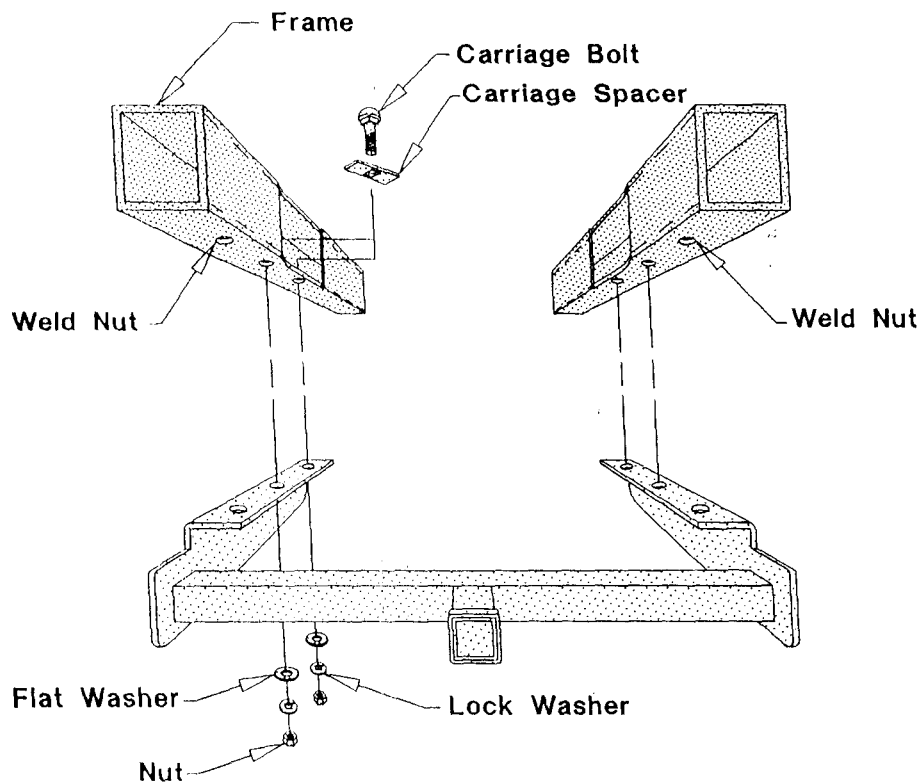


25159

8,000 WC/ 12,000 WD

INSTALLATION INSTRUCTIONS



1. Lower spare tire for ease of installation.
 2. Remove the two bolts (one each side) from bumper bracket on bottom side of frame.
- Note: Do not discard bolts removed in step 2. They will be reused
3. Raise hitch into position and reinstall bolts removed in step 2. finger tighten only.
 4. Install 1/2"-13 x 1 3/4" carriage bolts and carriage spacers through cut out in side of frame. Fasten hitch using corresponding 3/16" x 1 1/4" x 1 1/2" spacers, lock washers and nuts. Torque all 1/2"-13 bolts to 75ft. lbs. Torque 14mm bolts to 103ft. lbs.
 5. Raise spare tire back in position.

HARDWARE LIST

- 4 - 1/2"-13 x 1 3/4" Carriage Bolts
- 4 - 1/2" Lock washers
- 4 - 1/2"-13 Nuts
- 4 - 3/16" x 1 1/4" x 1 1/2" Spacers
- 4 - 1/4" x 1" x 2 1/2" Carriage Spacers
- 1 - 1/2" Bolt Holder Wire Form

****WARNING: ALTHOUGH THIS HITCH IS DESIGNED TO SAFELY CARRY THE LOADS SPECIFIED, UNDER NO CIRCUMSTANCES DO WE RECOMMEND EXCEEDING THE TOWING VEHICLE MANUFACTURER'S RECOMMENDED TOWING CAPABILITIES. ALWAYS USE SAFETY CHAINS AND TRAVEL AT A SAFE SPEED.**

FIT LIST

- 2000 Chevy Tahoe
- 2000 GMC Yukon
- 2000 Chevy Suburban
- 2000 GMC Yukon XL

