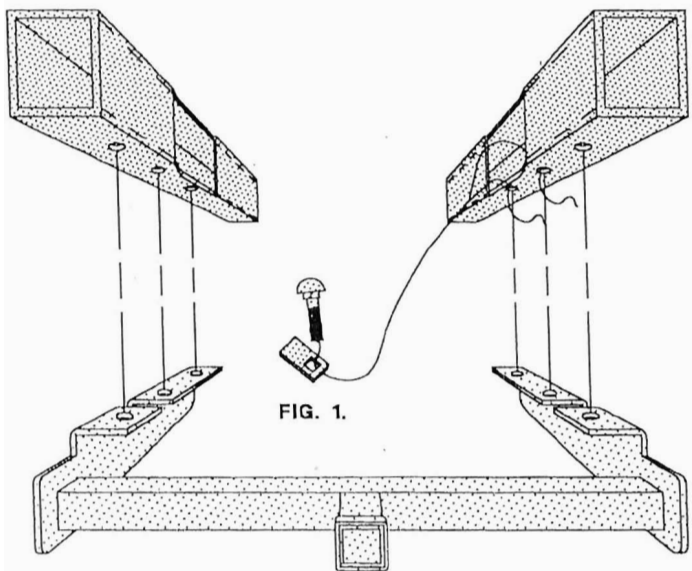


25015

5,000 WC/ 10,000 WD



INSTALLATION INSTRUCTIONS

1. On all models use the 1/2"-13 x 1 3/4" carriage bolts and 1/4" x 1" x 2 1/2" carriage spacers inside of frame. NOTE: On some models you have to fish wire the front two 1/2"-13 x 1 3/4" carriage bolts and 1/4" x 1" x 2 1/2" carriage spacers through the opening just forward of the front hole (two bolts each side). The back hole you can reach from the back of frame. Being careful not to push bolts back up into the frame, raise hitch into place and fasten with corresponding flat washers, lock washers, and nuts.
2. On models that the frame isn't closed, raise hitch into place and drop the carriage bolts and carriage spacers through frame and endplate. Fasten with corresponding flat washers, lock washers, and nuts.
3. Torque all 1/2"-13 x 1 3/4" bolts to 75 ft. lbs.

Note: On 1999 models holes closest to rear of frame require 1/2"-13 x 1 3/4" bolt and flat washers. One each side.

HARDWARE LIST

- 6 - 1/2"-13 x 1 3/4" Carriage Bolts
- 8 - 1/2" Flat Washers
- 6 - 1/2" Lock Washers
- 6 - 1/2" Nuts
- 6 - 1/4" x 1" x 1 1/2" Carriage Spacers
- 2 - 1/2"-13 x 1 3/4" Bolts
- 1 - 1/2" Bolt Holder Wire Form

FIT LIST

- 1992-1999 Chevy/GMC Suburban
- 1992-1999 Chevy Blazer, Tahoe/GMC Yukon
- 1999 Cadillac Escalade
- 1999 GMC Denali

****WARNING: ALTHOUGH THIS HITCH IS DESIGNED TO SAFELY CARRY THE LOADS SPECIFIED, UNDER NO CIRCUMSTANCES DO WE RECOMMEND EXCEEDING THE TOWING VEHICLE MANUFACTURER'S RECOMMENDED TOWING CAPABILITIES. ALWAYS USE SAFETY CHAINS AND TRAVEL AT A SAFE SPEED.**

