

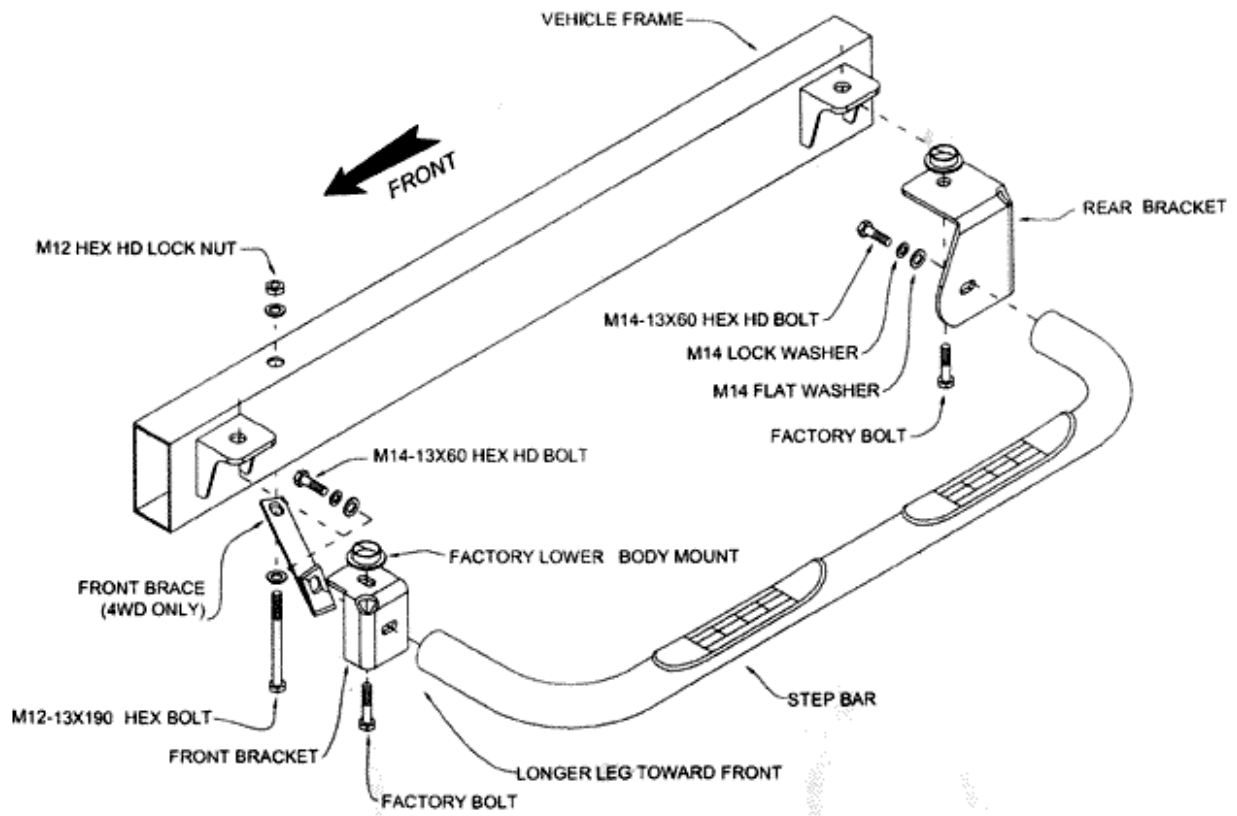
# AT22001

## Installation Instructions

2000-2007 Dodge Dakota Quad Cab

1. Before installing, review the installation instructions carefully. Be sure you have all hardware shown in the diagram. (You may have some extra hardware)
2. Locate the body mounts located under the cab behind the inner wall of the rocker panel.
3. Locate front and rear brackets.
4. Remove the front body mount bolt. Be sure to keep the rubber bushing. Using the OE bolt install the front bracket and existing rubber bushing. Leave the bolt loose for now.
5. If your truck is a 4x4, complete this step; otherwise, continue on to step 6. Locate the front support brace hole in the truck's frame. Insert the long M12 bolt with flat washer through the bottom of the frame. It will pass all the way through the frame and out the top. Install a flat washer and lock nut. Leave the bolt loose for now.
6. Repeat step 4 to install the rear bracket.
7. Identify the driver and passenger side step tubes. Install a M14 bolt with lock washer and flat washer through the bracket into the rear end of tube. Leave it loose for now.
8. Install a M14 bolt with lock washer and flat washer through the bracket into the front end of tube. (Be sure to attach the support brace if your truck is a 4x4)
9. Tighten the M14 bolts holding the tube to the brackets first. Then, tighten the body mount bolts. Finally, tighten the support brace bolts.
10. Repeat the steps above on the other side.

# AT22001



**Driver Side Installation Shown**