

AT21003

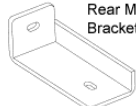
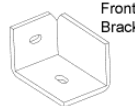


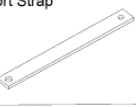





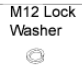
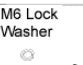


Installation Instructions

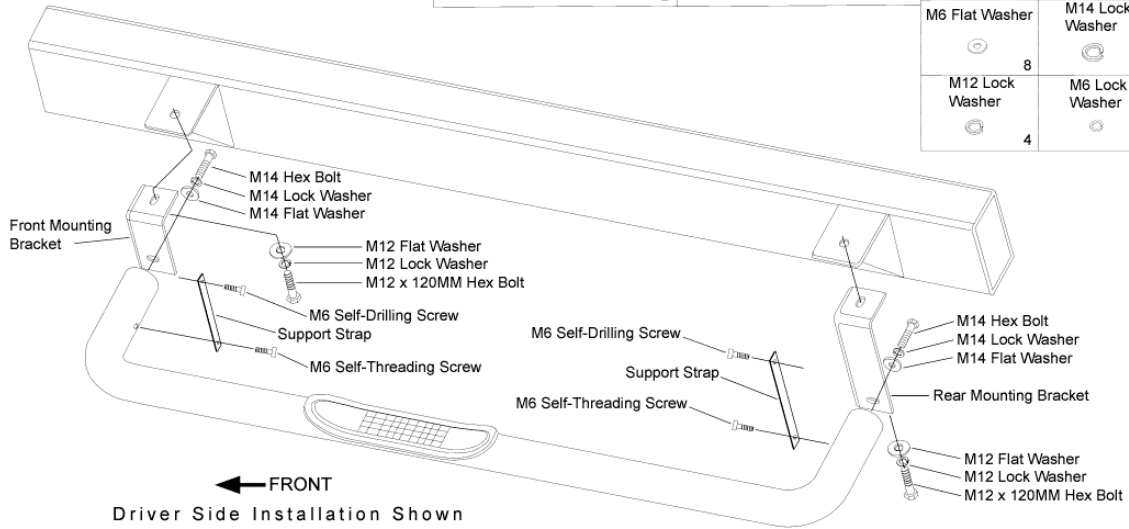
1994-2001 Dodge Ram 1500/2500/3500 Standard Cab
2002 Dodge Ram 2500/3500 Standard Cab

1. Before installing, review the installation instructions carefully. Be sure you have all hardware shown in the diagram. (You may have some extra hardware)
2. Locate the body mounts located under the cab behind the inner wall of the rocker panel.
3. Locate front and rear brackets. The front bracket is shorter.
4. Remove the front body mount bolt and discard. Be sure to keep the rubber bushing. Using a long bolt, lock washer and flat washer install the front bracket, spacer washer and rubber bushing. Leave the bolt loose for now.
5. Repeat steps 4 for the rear bracket.
6. Identify the driver and passenger side step tubes. Install a M14 bolt with lock washer and flat washer through the bracket into the rear end of tube. Leave it loose for now.
7. Install a M14 bolt with lock washer and flat washer through the bracket into the front end of tube.
8. Tighten the M14 bolts holding the tube to the brackets first. Then, tighten the body mount bolts.
9. Install the support braces once all other bolts are tightened. Starting at the front, bolt a support brace to the tube leaving it loose. Then, install the self-tapping screw through the brace into the sheet metal above. Tighten the self-tapping screw and then the bolt in the tube. Repeat for rear brace.
10. Repeat the steps above on the other side.

AT21003

Parts List

 Rear Mounting Bracket 2	 Front Mounting Bracket 2	 M14x60 Hex Bolt 4	 M12x130 Hex Bolt 4
 Support Strap 2	 Support Strap 2	 M6x30 Hex Bolt 4	 M6x25 Hex Bolt 4
		 M14 Flat Washer 4	 M12 Flat Washer 4
		 M6 Flat Washer 8	 M14 Lock Washer 4
		 M12 Lock Washer 4	 M6 Lock Washer 8



www.AnythingTruck.com